

It's broken – now what?

Does not go off – NO light!

POSSIBILITIES

- Broken wire in epee, body cord or reel
- Blade wire broken at guard socket
- Contact spring too short
- Contact spring bent
- Internal short in epee
- Body cord wired incorrectly

Will not pass the weight test!

POSSIBILITIES

- Weak pressure spring
- Barrel dented or out of round

Will not pass the shim test!

POSSIBILITIES

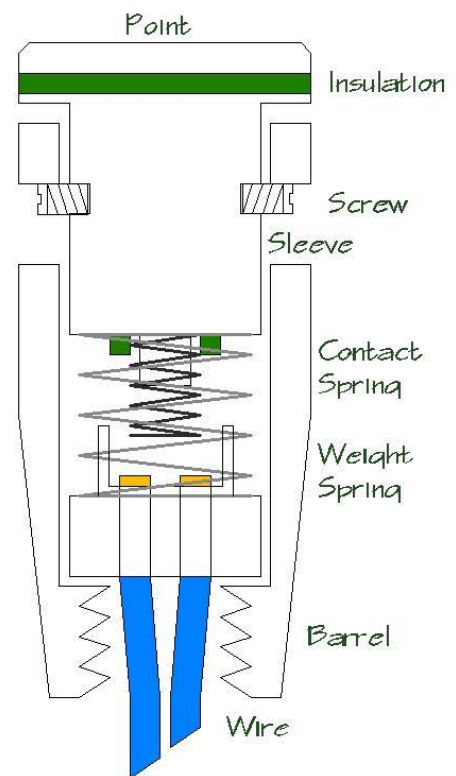
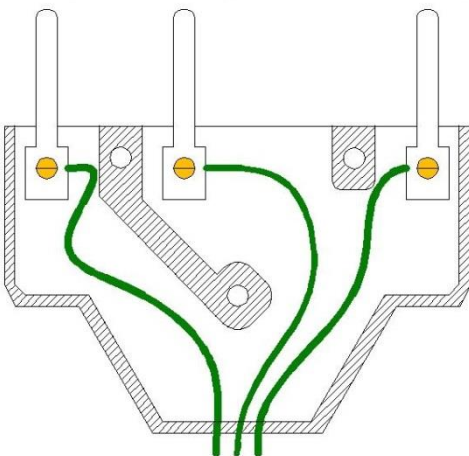
- Contact Spring is too long

Phantom touches

POSSIBILITIES

- Intermittent internal short of the wires due to a loose barrel
- Metallic flake inside the point
- Loose wires in the guard socket

Inside a Body Cord - all 3 wires must be attached and all wires must correspond to the same connections on the other end.



Inside an epee point.